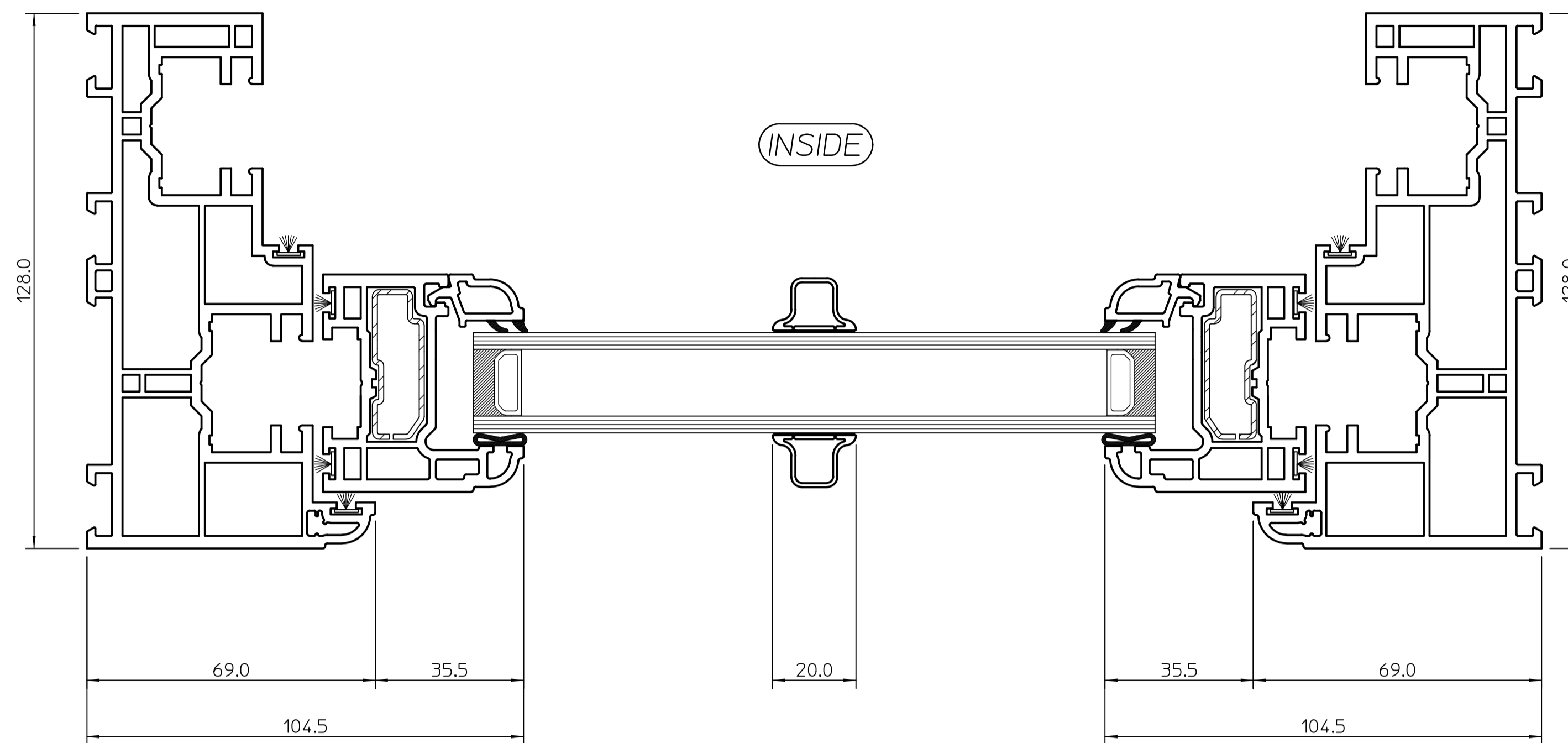
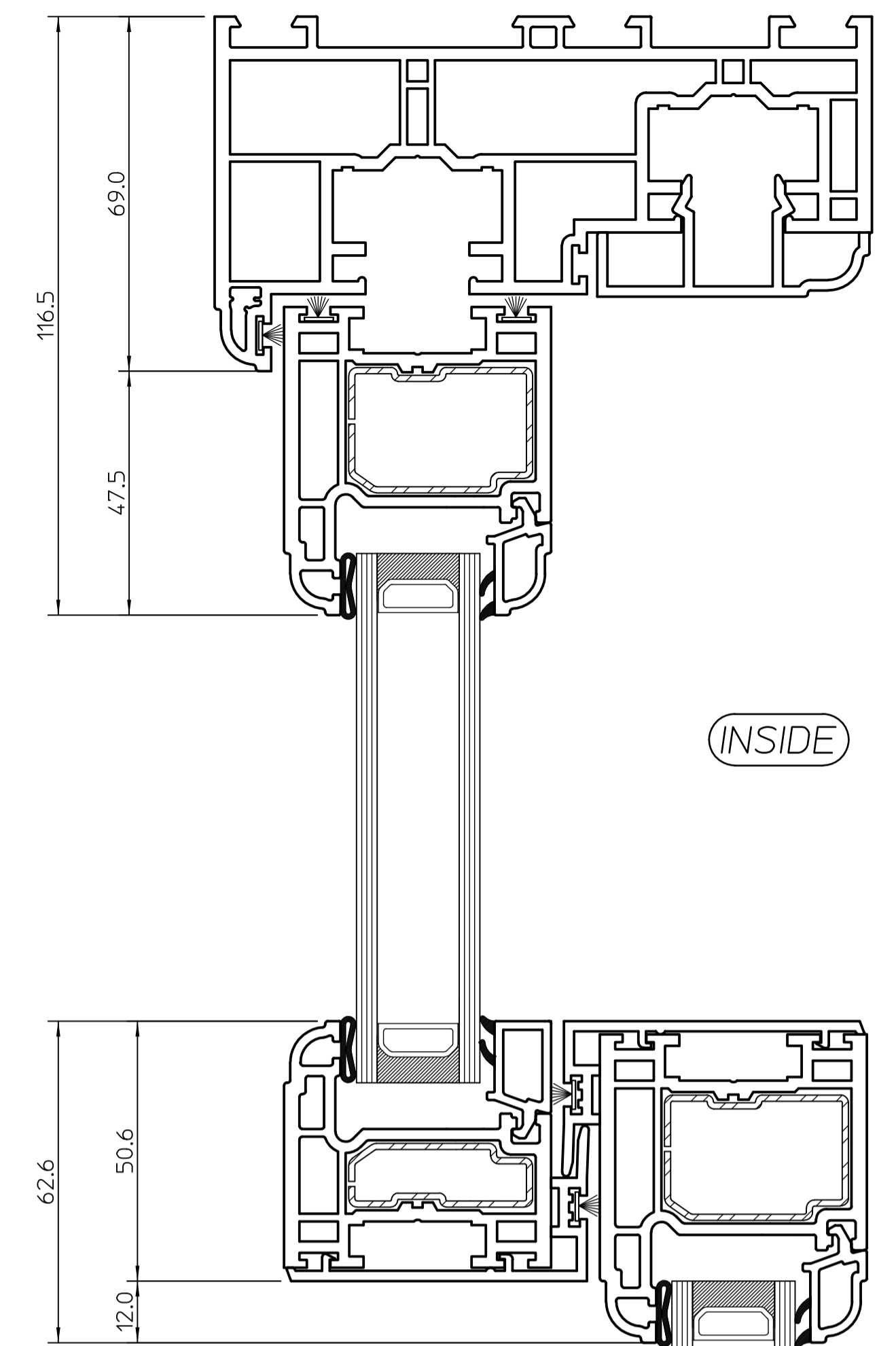


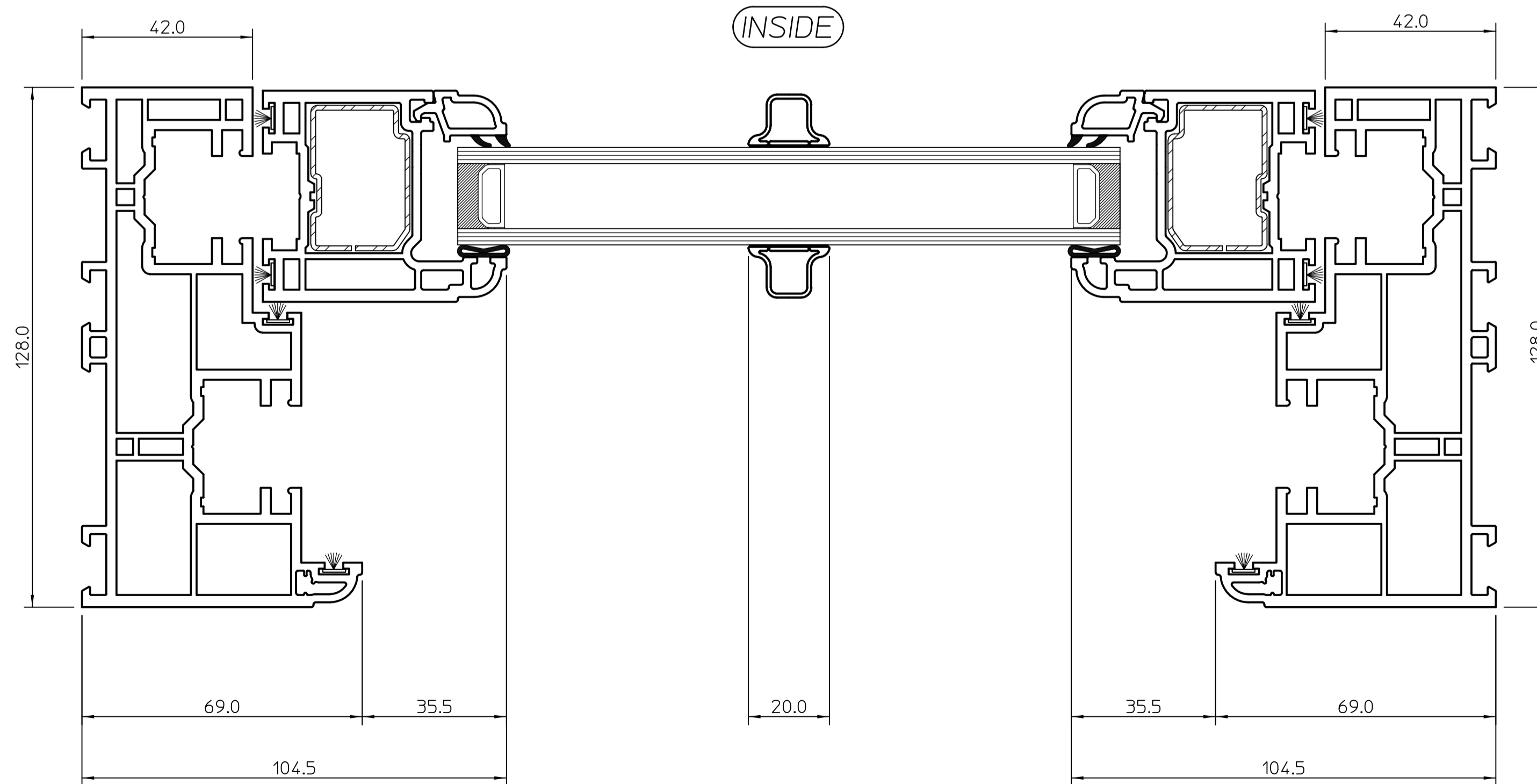
1:10 ELEVATION



SECTION 'B-B'



SECTION 'A-A'



SECTION 'C-C'

Epwin Group					
WINDOW SYSTEMS DIVISION					
Stafford Park 6, Telford, Shropshire TF3 3AT Tel: 01952 290910 Fax: 01952 290460					
B				7/07/2022	G.G.
VERTICAL SLIDER ELEVATION AND CROSS SECTIONS					
Drawn By:	Date:	Approved:	Scale:	at:	Drawing No:
G.G.	29/06/2022		1:10 & 1:1	A1	7409
					Issue:
					B