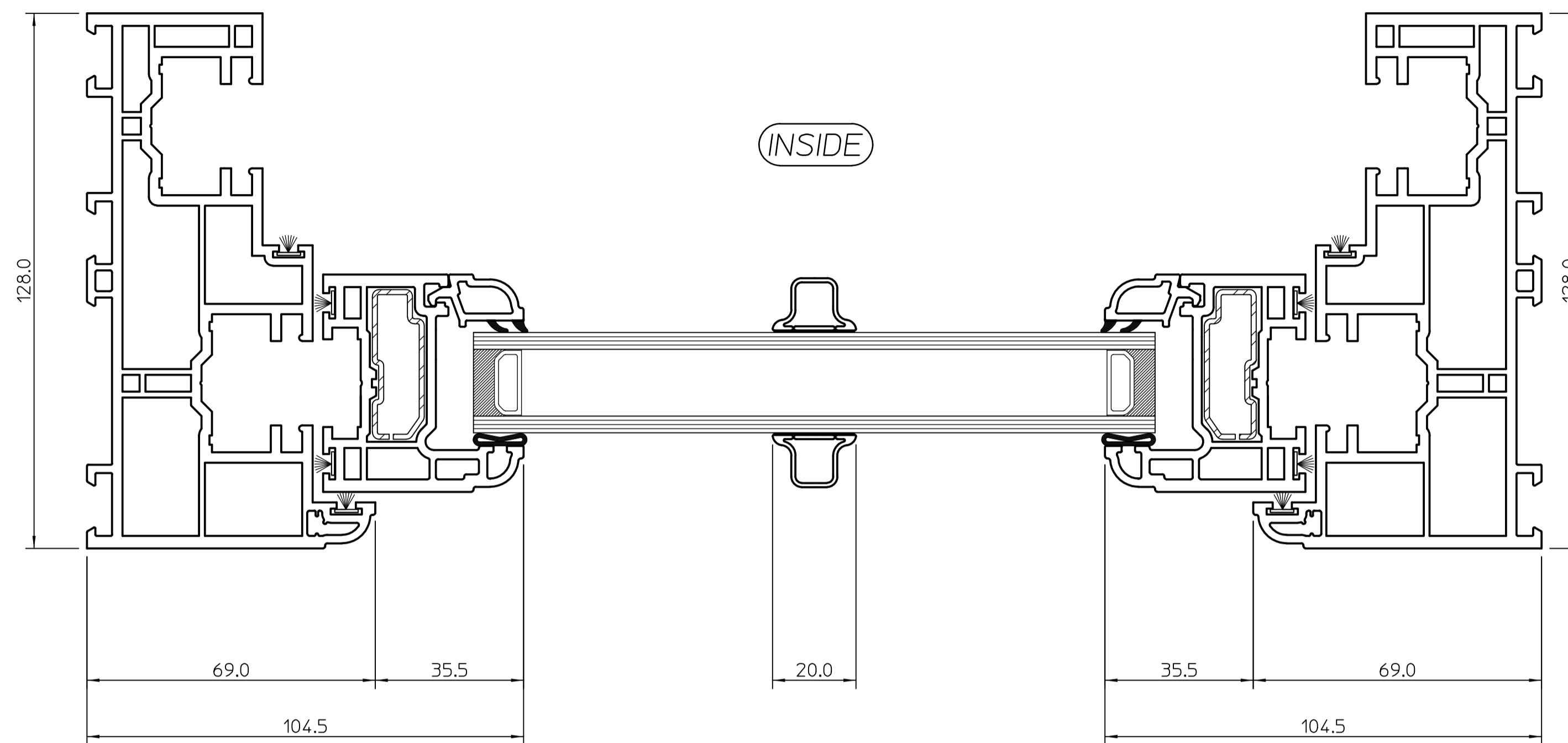
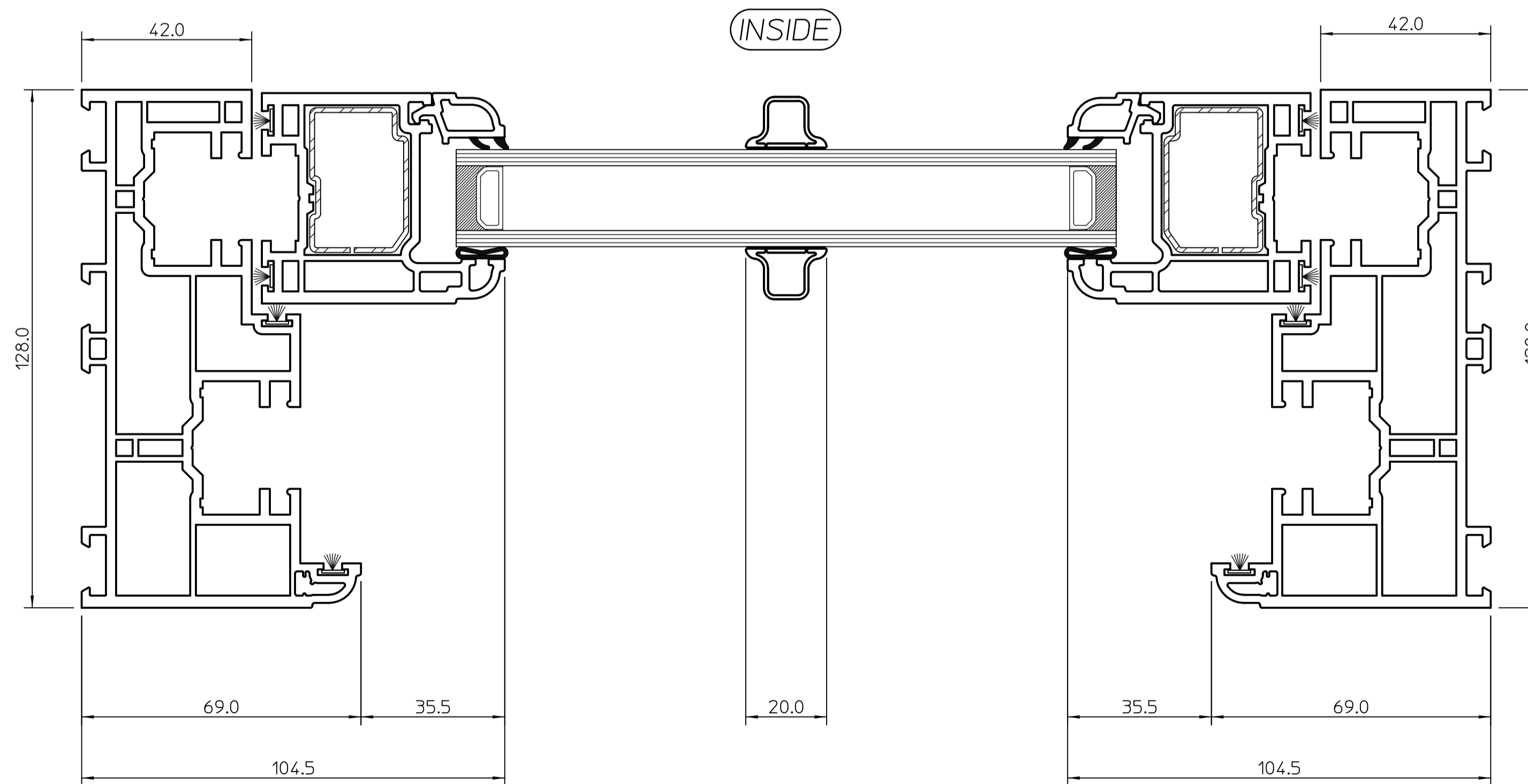


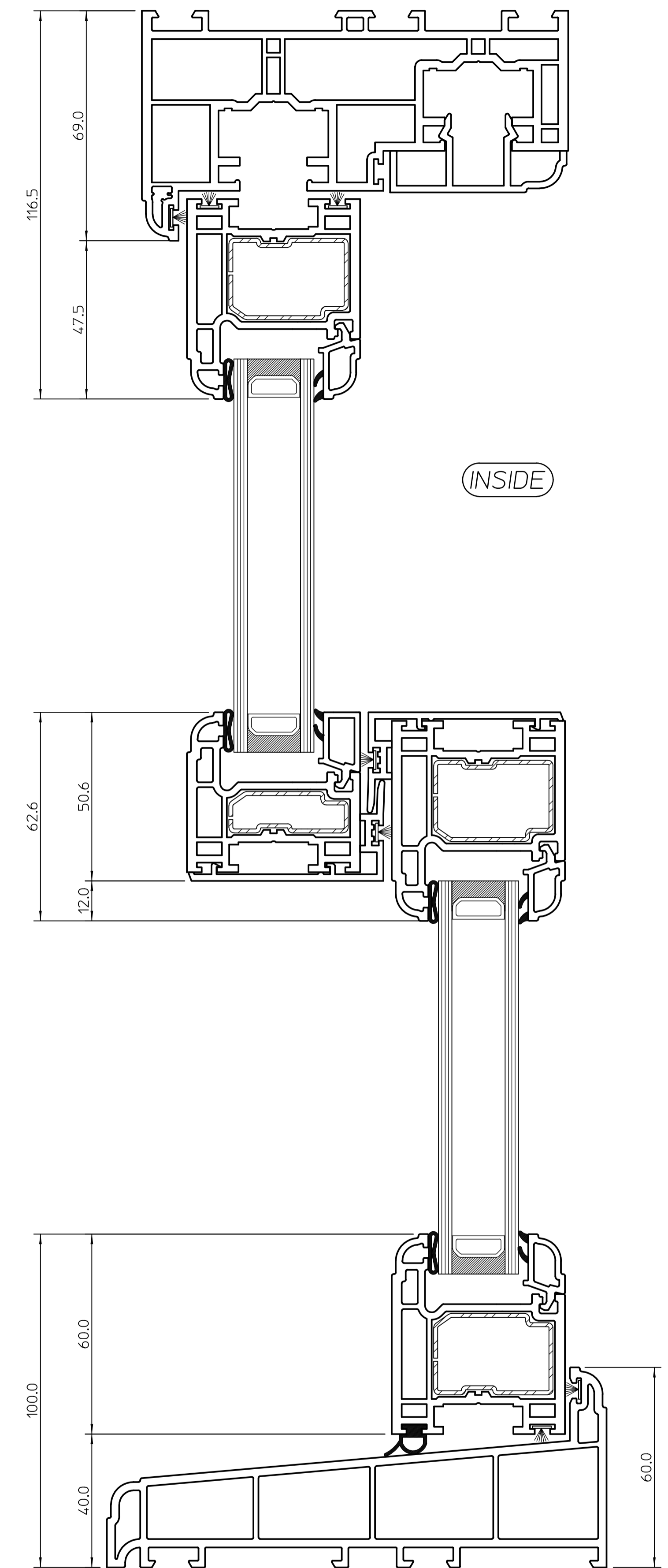
1:10 ELEVATION



SECTION 'B-B'



SECTION 'C-C'



SECTION 'A-A'

**Epwin Group**  
 WINDOW SYSTEMS  
 DIVISION  
 Stafford Park 6, Telford, Shropshire TF3 3AT  
 Tel: 01952 290910 Fax: 01952 290460

A					7/07/2022	G.G.
Title:						
VERTICAL SLIDER ELEVATION AND CROSS SECTIONS						
Drawn By:	Date:	Approved:	Scale:	of:	Drawing No:	Issue:
G.G.	07/07/2022		1:10 & 1:1	A1	7411	A